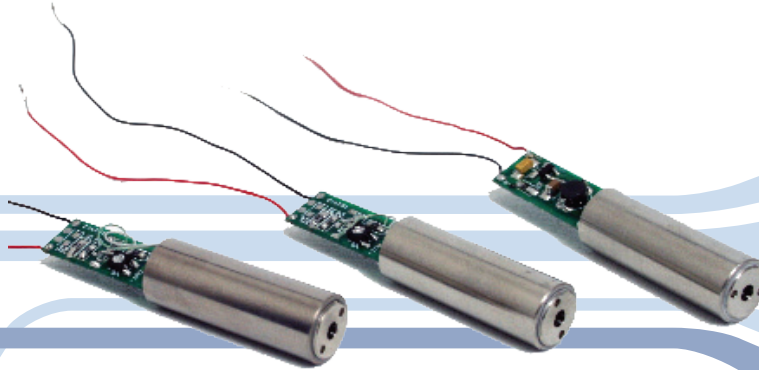


**DPSS Green Laser Module****Over 50°C Range of Operation without Active Temperature Control****Features:**

- 532nm, 5mW CW Operation (Class 3R)
- Wide Operating Temperature Range (-10°C to 40°C)
- Miniature Size
- High Stability
- High Visibility

**Applications:**

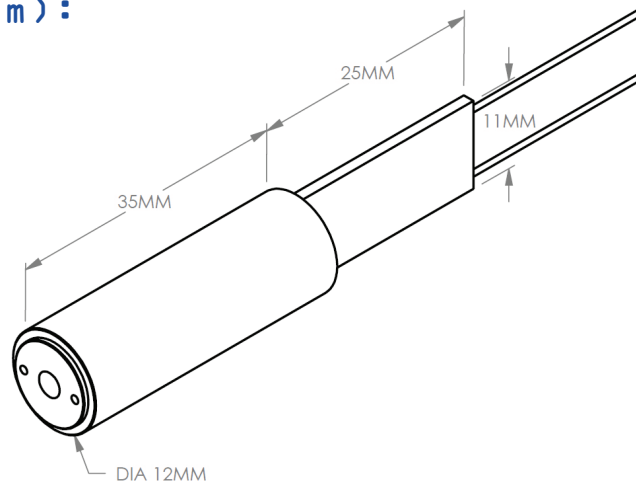
- Laser Aiming
- Surveying Equipment
- Laser Alignment & Positioning
- Laser Plane / Laser Leveler

**Specifications\*:**

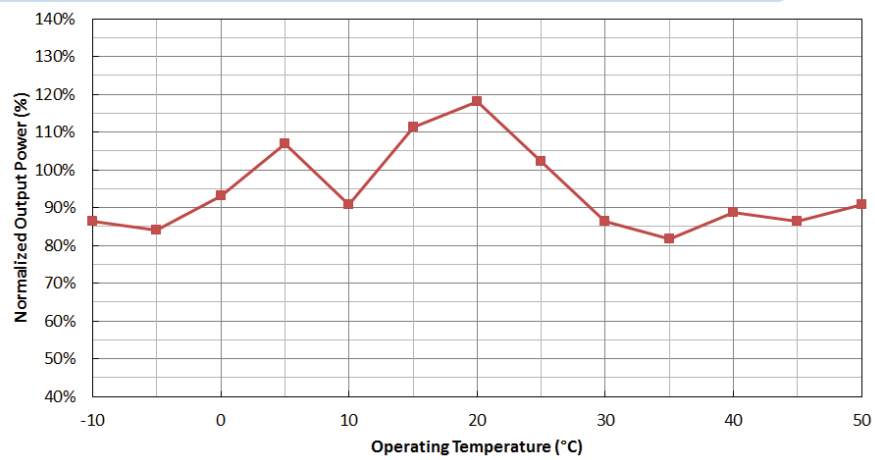
Parameter	Symbol	Min.	Typ.	Max.	Unit	Condition
Peak wavelength	$\lambda$		532		nm	$P_o$
Output power	$P_o$	3.0	4.0	5.0	mW	$V_{op} = 3\text{ V}$
Power stability at 25°C				±5%		$V_{op} = 3\text{ V}$
Power stability over operating temperature range			±20%	±30%		$V_{op} = 3\text{ V}$
Warm up time				2	sec	75% full $P_o$
Operating current	$I_{op}$		180	350	mA	$P_o$
Operating voltage	$V_{op}$		3.0		V	$P_o$
Beam divergence full angle	$\theta$		1.7	2.0	mrad	$P_o$
Beam diameter at 50 feet	D		1.0		inch	$P_o$
Beam pointing to center axis	$\phi$			±1	degree	$P_o$
Residual IR				1%		$P_o$
Operating temperature	$T_{op}$	-10		40	°C	$P_o$
Storage temperature	$T_{st}$	-30		70	°C	
Mean time to failure	MTTF	5,000			hr	$P_o$

*\*CW Operation at 25°C (unless specified otherwise)*

## Dimensions (mm):

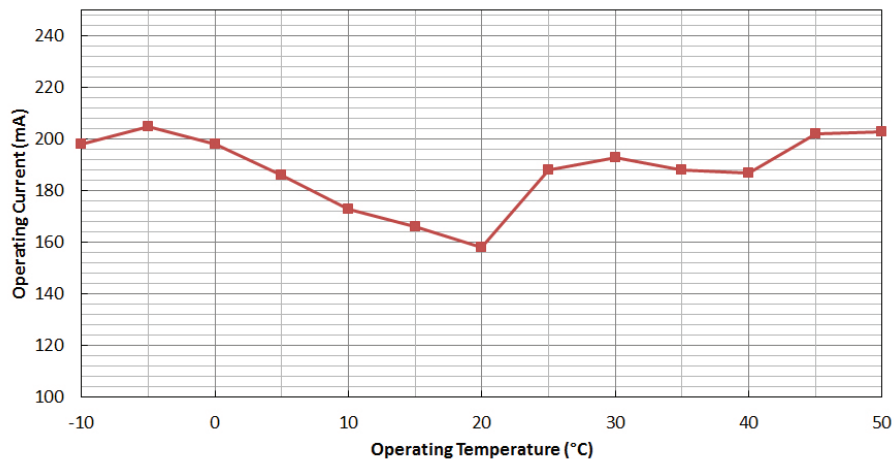


## Output Power vs. Operating Temperature



*Note: graphs for example only*

## Operating Current vs. Operating Temperature



*Note: graphs for example only*

***For more information contact B&W Tek, Inc. and mention model number BWP-4.5-OEM***